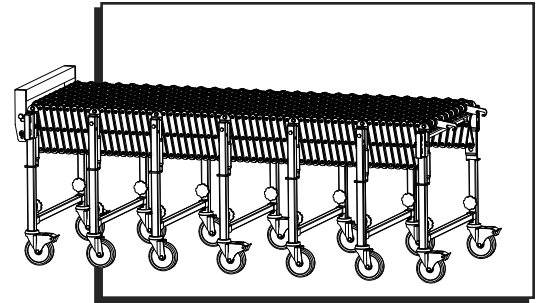


**ULINE** H-6873

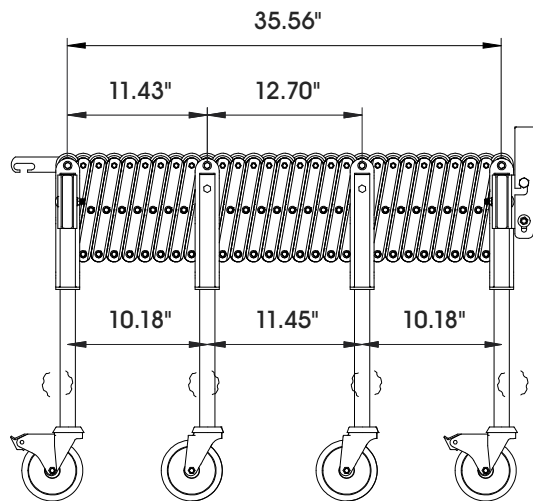
**EXPANDABLE CONVEYOR –  
18" x 12'**

1-800-295-5510  
uline.com

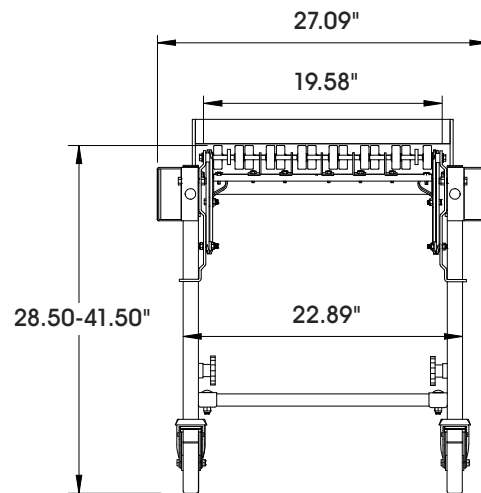


**COMPRESSED VIEW**

**SIDE VIEW**



**END VIEW**



**SPECIFICATIONS**

LENGTH		HEIGHT		WIDTH BETWEEN FRAME
COMPRESSED	EXTENDED	LEGS COLLAPSED	LEGS EXTENDED	
3'	12'	28.50"	41.50"	19.58"

**ULINE** H-6873

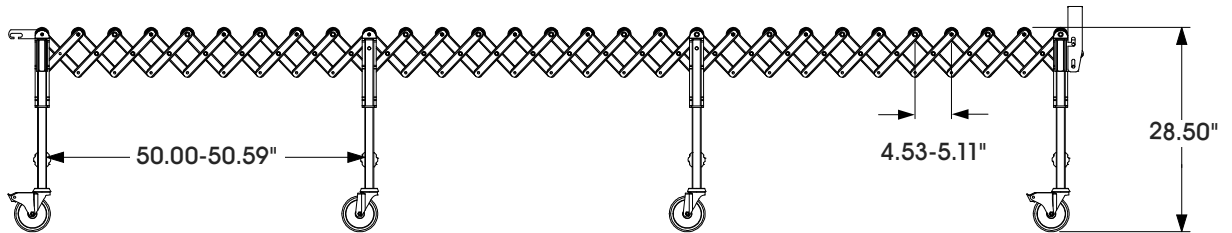
**EXPANDABLE CONVEYOR –  
18" x 12'**

1-800-295-5510

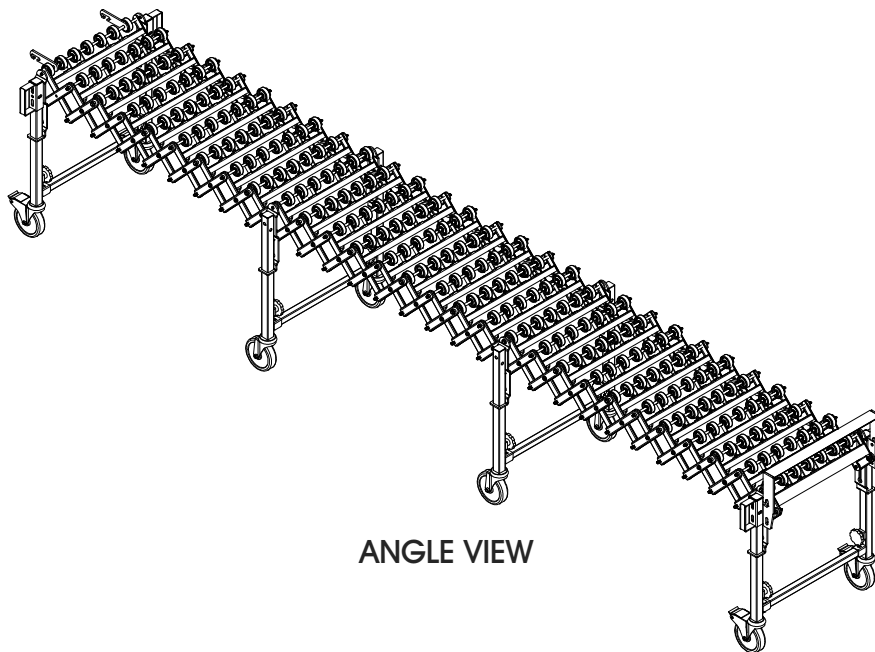
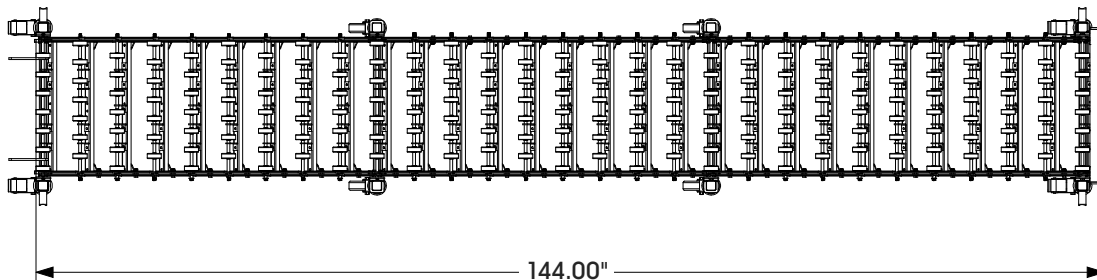
uline.com

**EXPANDED VIEW**

**SIDE VIEW**



**TOP VIEW**



**ANGLE VIEW**