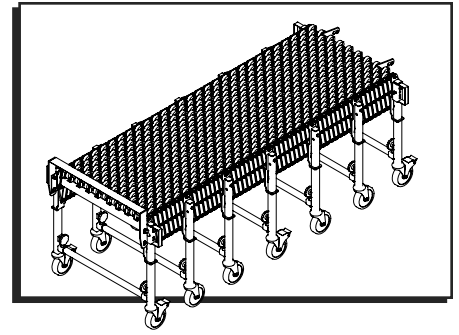


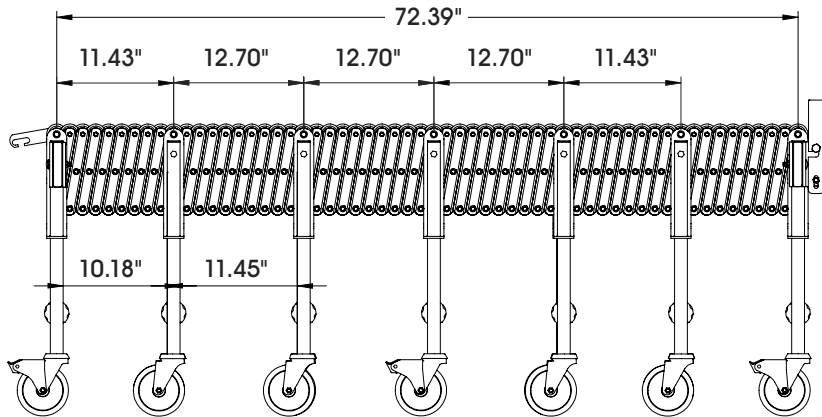
ULINE H-6875
EXPANDABLE CONVEYOR –
24" x 24'

1-800-295-5510
 uline.com

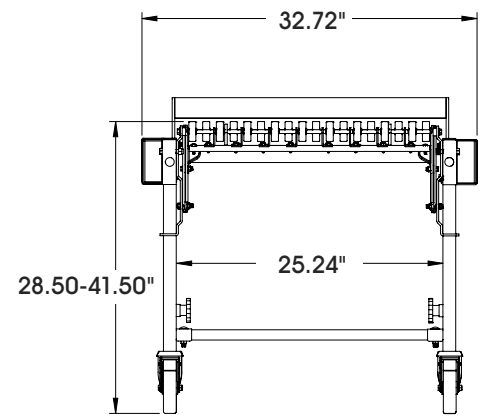


COMPRESSED VIEW

SIDE VIEW



END VIEW



SPECIFICATIONS

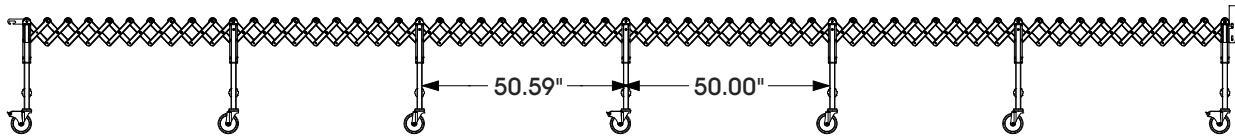
| LENGTH | | HEIGHT | | WIDTH BETWEEN FRAME |
|------------|----------|----------------|---------------|---------------------|
| COMPRESSED | EXTENDED | LEGS COLLAPSED | LEGS EXTENDED | |
| 6' | 24' | 28.50" | 41.50" | 25.24" |

ULINE H-6875
EXPANDABLE CONVEYOR –
24" x 24'

1-800-295-5510
uline.com

EXPANDED VIEW

SIDE VIEW



TOP VIEW

