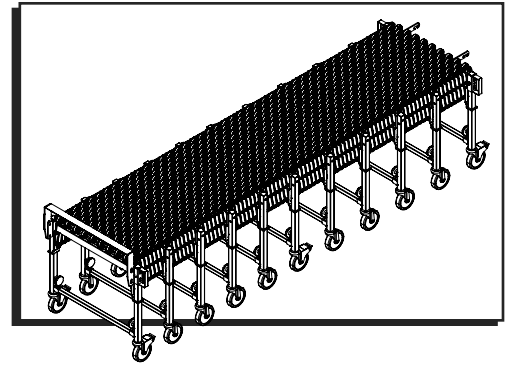


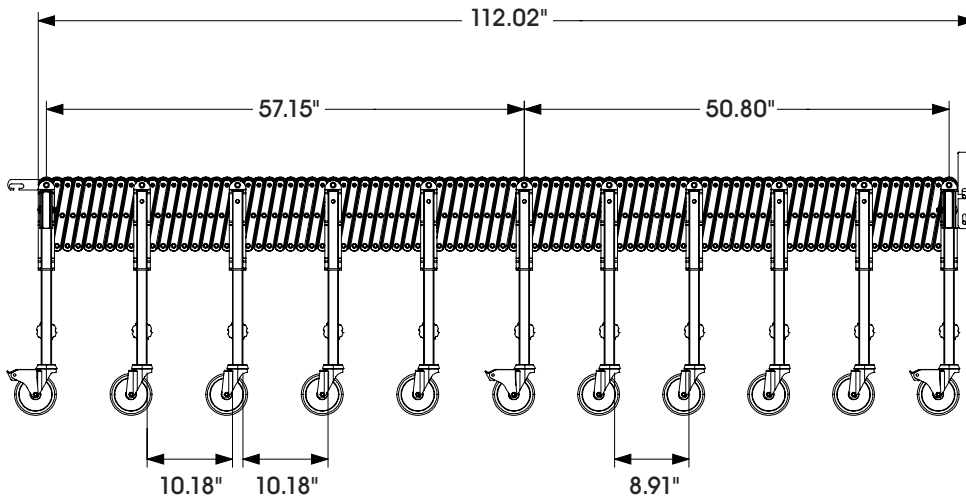
ULINE H-6876
EXPANDABLE CONVEYOR –
24" x 36'

1-800-295-5510
 uline.com

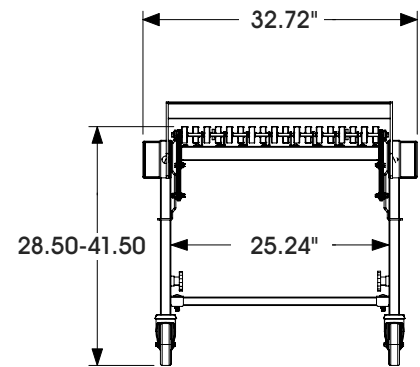


COMPRESSED VIEW

SIDE VIEW



END VIEW



SPECIFICATIONS

LENGTH		HEIGHT		WIDTH BETWEEN FRAME
COMPRESSED	EXTENDED	LEGS COLLAPSED	LEGS EXTENDED	
9'	36'	28.50"	41.50"	25.24"