

ULINE H-7444R
4 x 1 1/4" STAINLESS STEEL
RIGID CASTER

1-800-295-5510
 uline.com

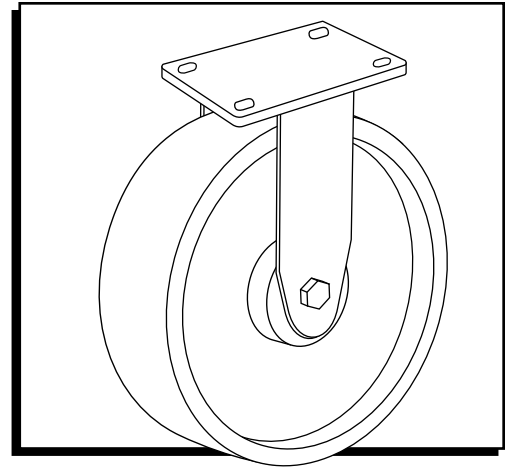
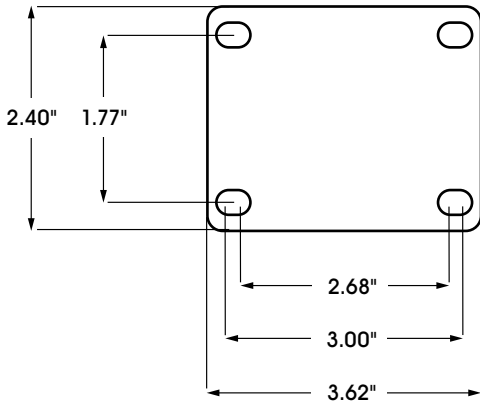
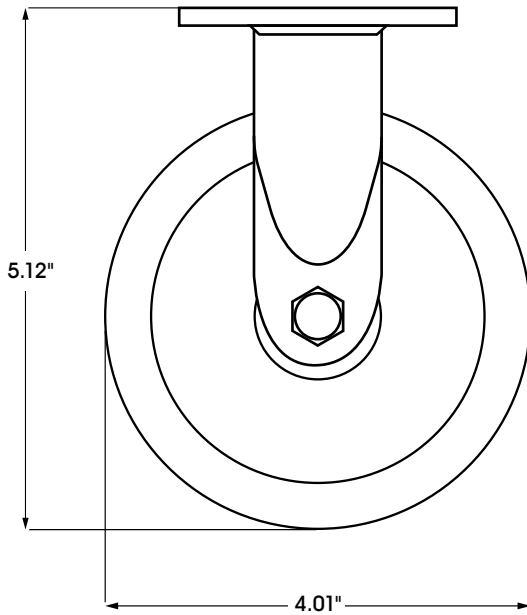


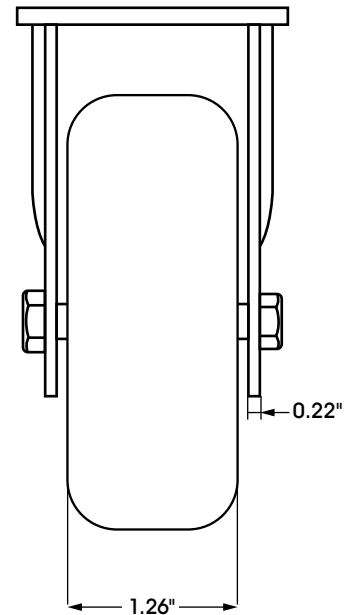
PLATE DIMENSIONS



SIDE VIEW



FRONT VIEW



SPECIFICATIONS

MODEL #	MATERIAL	OPERATING TEMPERATURE	WHEEL HARDNESS	DESCRIPTION	CAPACITY	SIZE (DIAM. x W)
H-7444R	Polyolefin	-20° to 180°F	65 (Shore D Scale)	Rigid	275 lbs.	4 x 1 1/4"