

ULINE H-7445S

5 x 1¼" STAINLESS STEEL SWIVEL CASTER

1-800-295-5510
uline.com

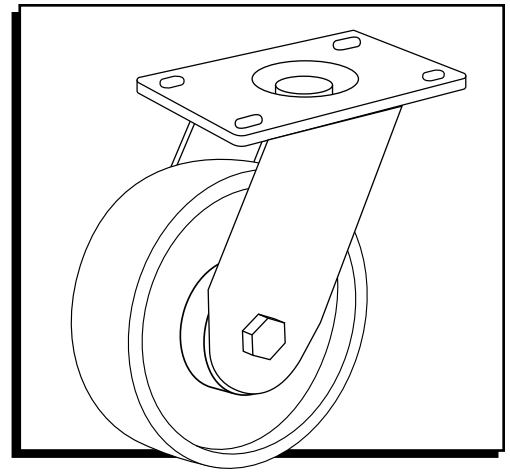
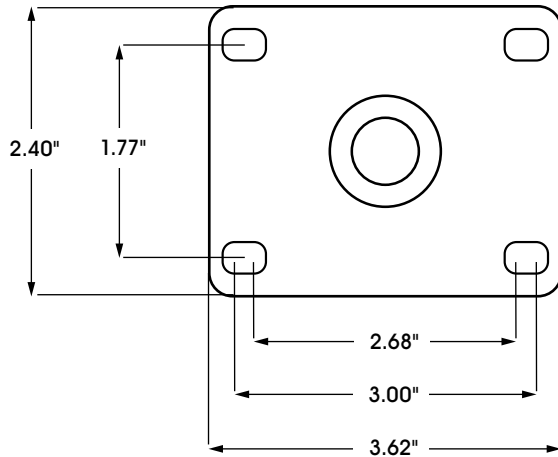
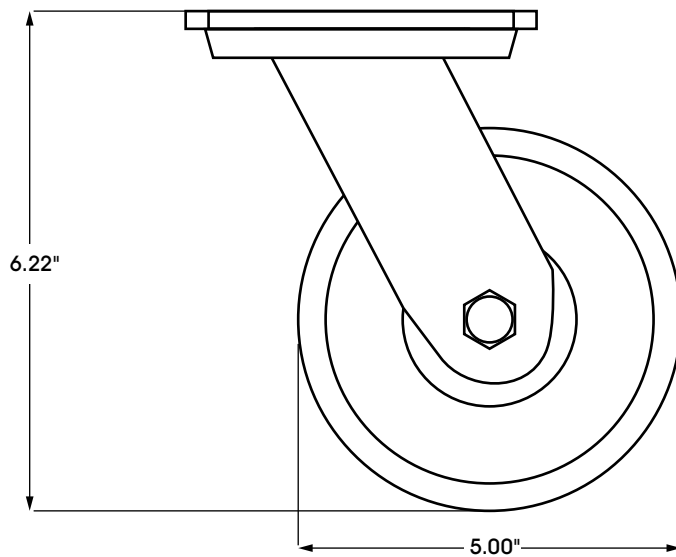


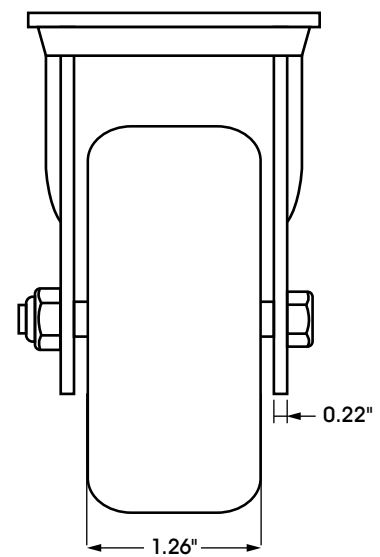
PLATE DIMENSIONS



SIDE VIEW



FRONT VIEW



SPECIFICATIONS

MODEL #	MATERIAL	OPERATING TEMPERATURE	WHEEL HARDNESS	DESCRIPTION	CAPACITY	SIZE (DIAM. x W)
H-7445S	Polyolefin	-20° to 180°F	65 (Shore D Scale)	Swivel	300 lbs.	5 x 1¼"