

ULINE H-7447SWB

**5 x 1¼" STAINLESS STEEL
SWIVEL CASTER WITH BRAKE**

1-800-295-5510
uline.com

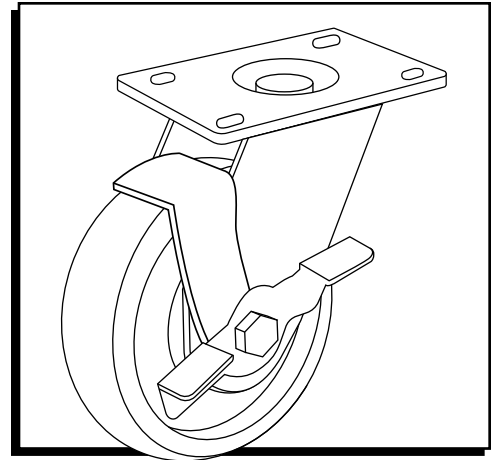
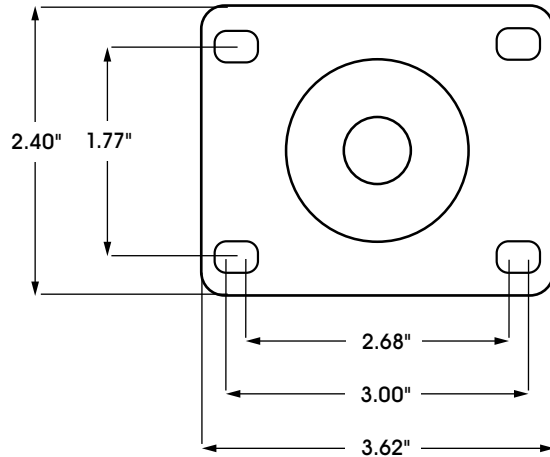
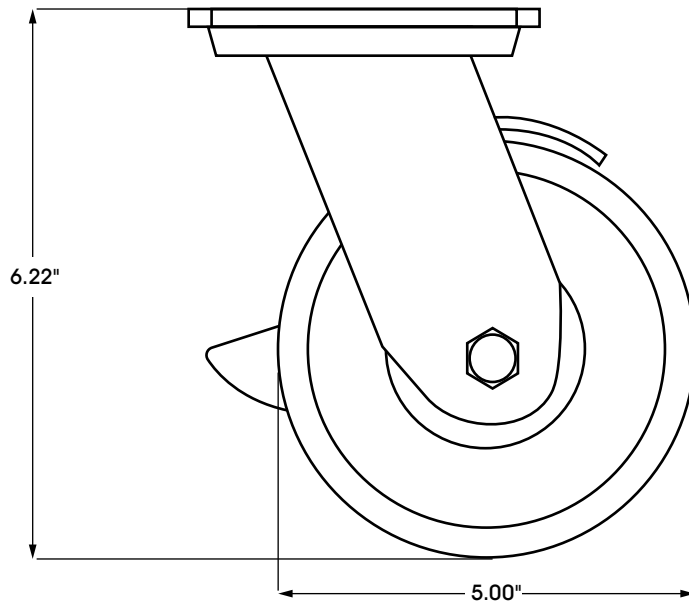


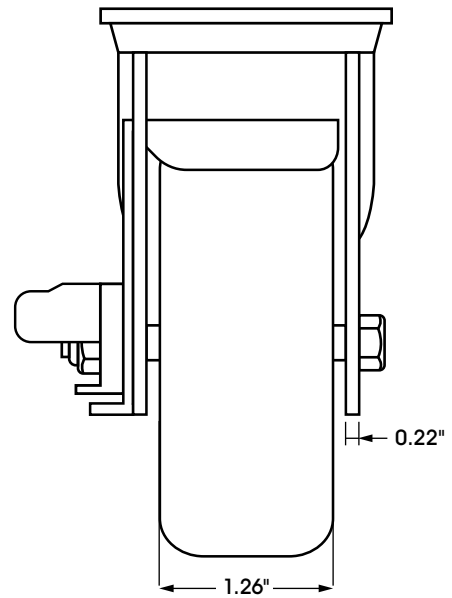
PLATE DIMENSIONS



SIDE VIEW



FRONT VIEW



SPECIFICATIONS

MODEL #	MATERIAL	OPERATING TEMPERATURE	WHEEL HARDNESS	DESCRIPTION	CAPACITY	SIZE (DIAM. x W)
H-7447SWB	Rubber	-40° to 180°F	65 (Shore A Scale)	Swivel with Brake	300 lbs.	5 x 1¼"