

ULINE H-7449S

**5 x 1¼" STAINLESS STEEL
SWIVEL CASTER**

1-800-295-5510
uline.com

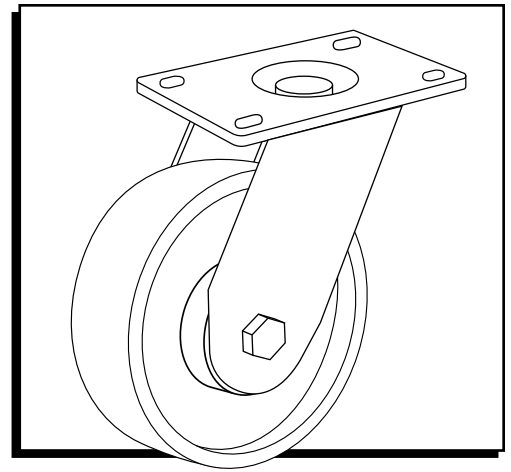
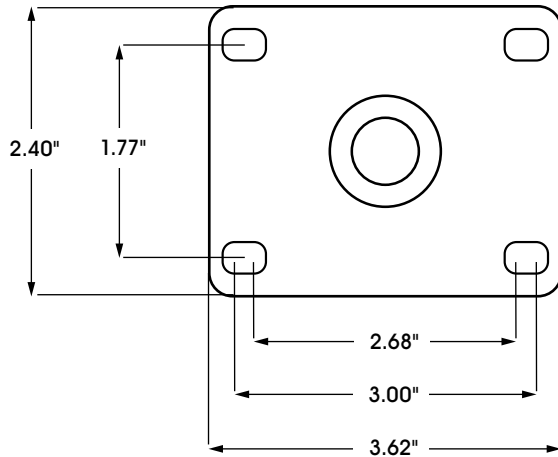
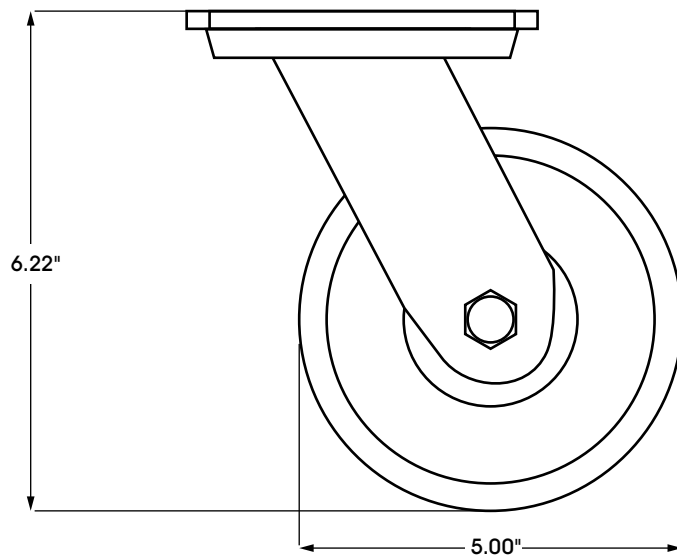


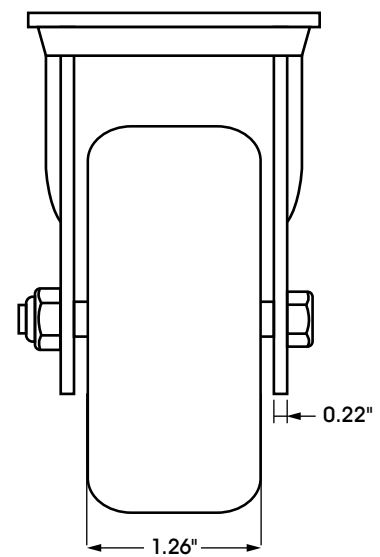
PLATE DIMENSIONS



SIDE VIEW



FRONT VIEW



SPECIFICATIONS

MODEL #	MATERIAL	OPERATING TEMPERATURE	WHEEL HARDNESS	DESCRIPTION	CAPACITY	SIZE (DIAM. x W)
H-7449S	Polyurethane	-30° to 180°F	95 (Shore A Scale)	Swivel	300 lbs.	5 x 1¼"