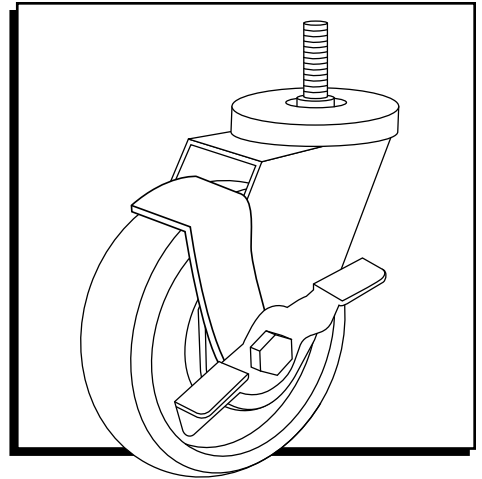
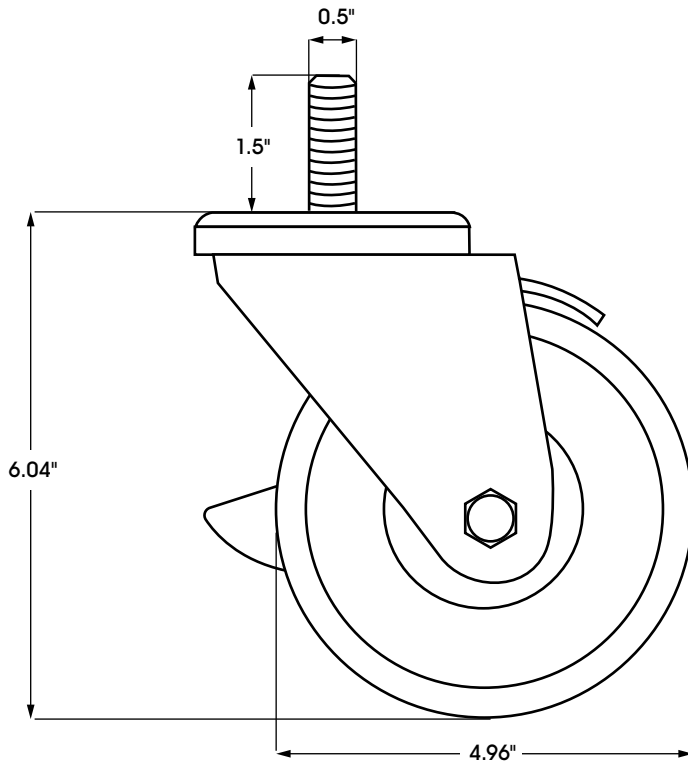


ULINE H-7451SWB
5 x 1¼" STEM POLYOLEFIN
SWIVEL CASTER WITH BRAKE

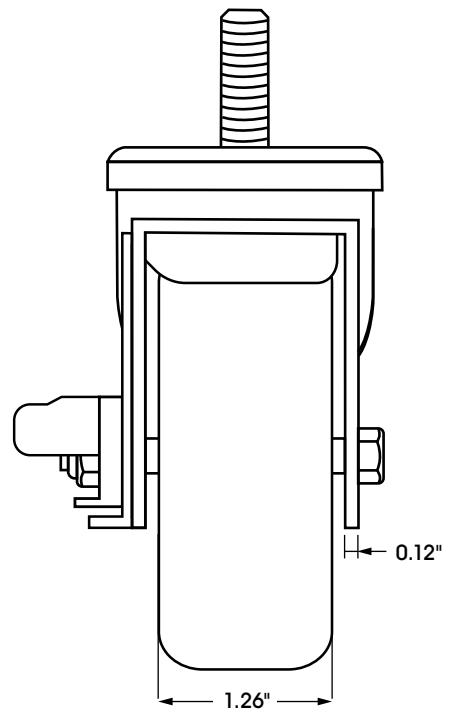
1-800-295-5510
 uline.com



SIDE VIEW



FRONT VIEW



SPECIFICATIONS

MODEL #	MATERIAL	OPERATING TEMPERATURE	WHEEL HARDNESS	DESCRIPTION	CAPACITY	SIZE (DIAM. x W)	THREAD SIZE
H-7451SWB	Polyolefin	-20° to 180°F	65 (Shore D Scale)	Swivel with Brake	300 lbs.	5 x 1¼"	1/2"-13