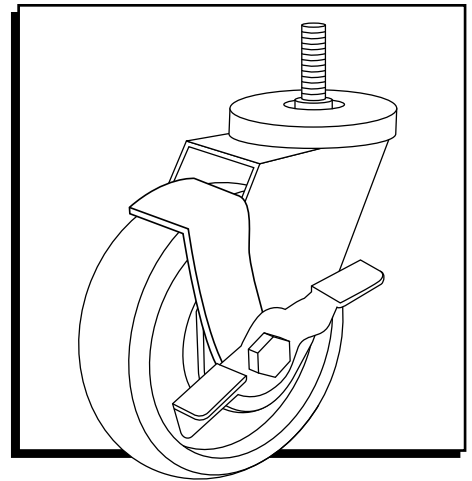
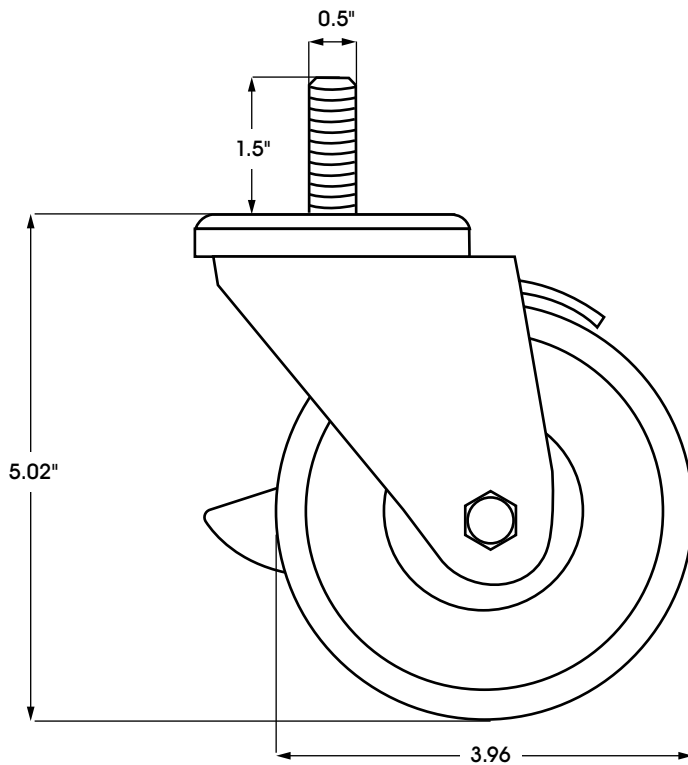


ULINE H-7454SWB
4 x 1 1/4" STEM POLYURETHANE
SWIVEL CASTER WITH BRAKE

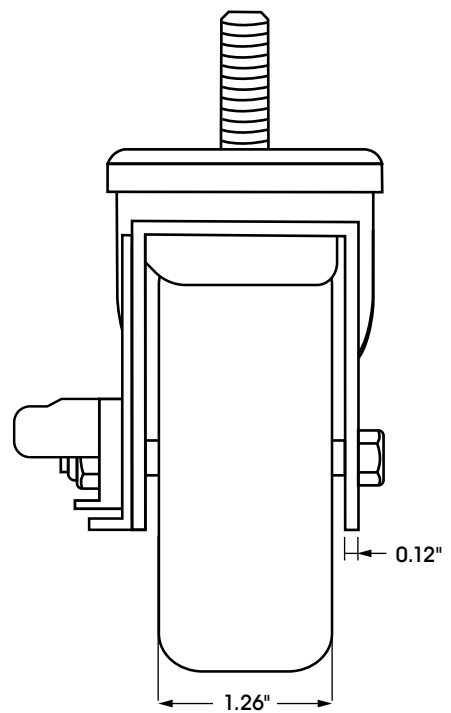
1-800-295-5510
 uline.com



SIDE VIEW



FRONT VIEW



SPECIFICATIONS

MODEL #	MATERIAL	OPERATING TEMPERATURE	WHEEL HARDNESS	DESCRIPTION	CAPACITY	SIZE (DIAM. x W)	THREAD SIZE
H-7454SWB	Polyurethane	-40° to 175°F	95 (Shore A Scale)	Swivel with Brake	275 lbs.	4 x 1 1/4"	1/2"-13