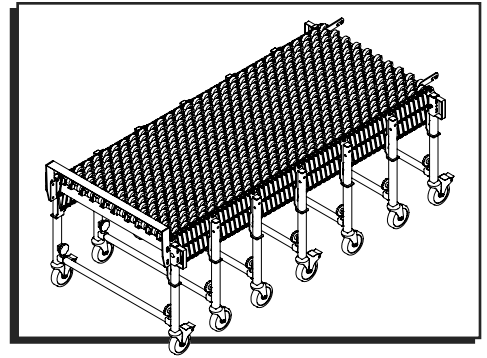


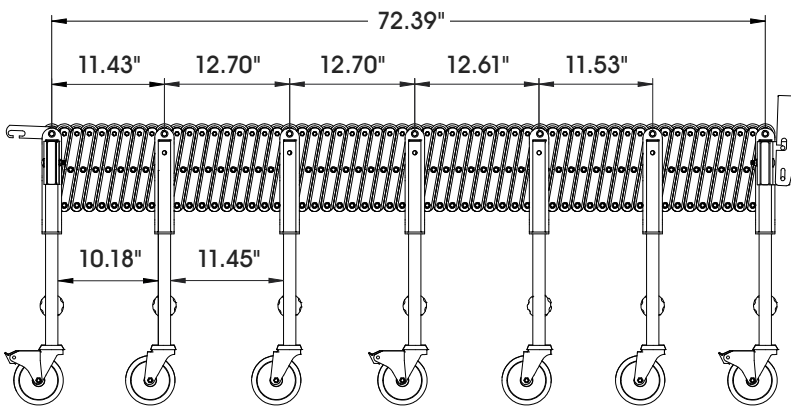
ULINE H-9218
EXPANDABLE CONVEYOR –
30" x 24'

1-800-295-5510
 uline.com

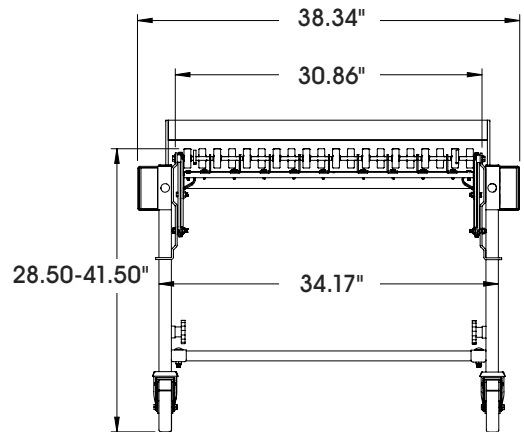


COMPRESSED VIEW

SIDE VIEW



END VIEW



SPECIFICATIONS

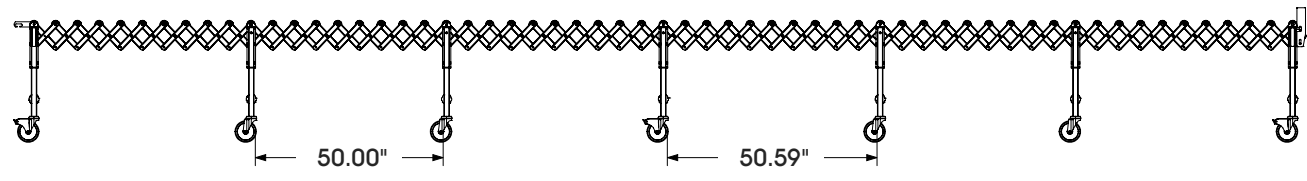
LENGTH		HEIGHT		WIDTH BETWEEN FRAME
COMPRESSED	EXTENDED	LEGS COLLAPSED	LEGS EXTENDED	
6'	24'	28.50"	41.50"	30.86"

ULINE H-9218
EXPANDABLE CONVEYOR –
30" x 24'

1-800-295-5510
uline.com

EXPANDED VIEW

SIDE VIEW



TOP VIEW

