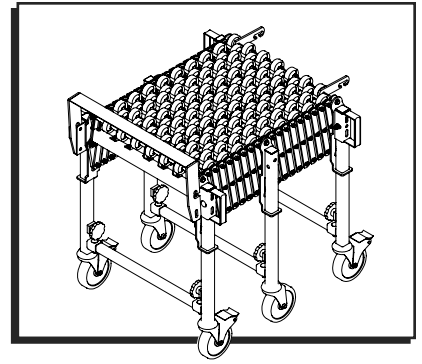


ULINE H-9669

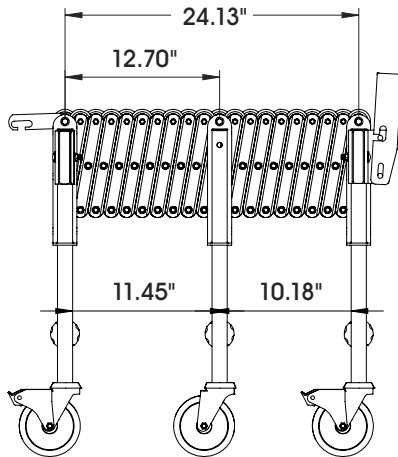
**EXPANDABLE CONVEYOR –
18" x 8'**

1-800-295-5510
uline.com

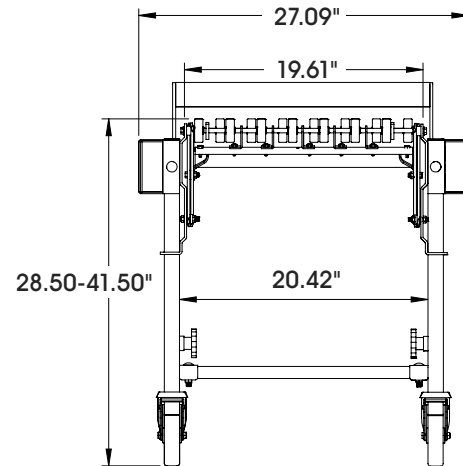


COMPRESSED VIEW

SIDE VIEW



END VIEW



SPECIFICATIONS

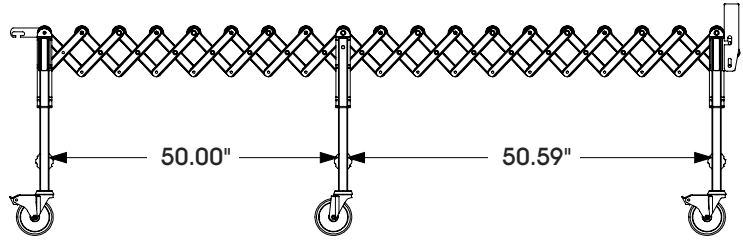
LENGTH		HEIGHT		WIDTH BETWEEN FRAME
COMPRESSED	EXTENDED	LEGS COLLAPSED	LEGS EXTENDED	
2'	8'	28.50"	41.50"	19.61"

ULINE H-9669
EXPANDABLE CONVEYOR –
18" x 8'

1-800-295-5510
uline.com

EXPANDED VIEW

SIDE VIEW



TOP VIEW

